

DC-Max

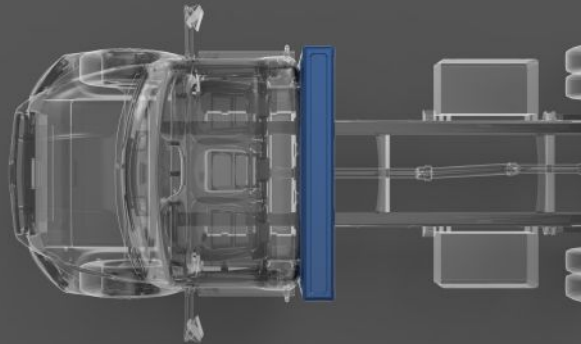
FREIGHTLINER M2

106/112 108SD/114SD



DC-10

IMPROVE YOUR OFFICE



The DC-10 offers the perfect solution for drivers who need a little more room in the cab. With a DC-10, you get more leg room, seat recline, and belly room. The extra space allows more functional space in the cab for a center console, cooler, or just dry out your wet coat and boots. Add a back wall door and stop climbing in and out of your cab to get your stuff. The DC-10 is great equipment with limited frame space and chassis weight capacity. Weighing it at less than 100 lb and using only 10" of frame space, the DC-10 is hard to beat.



DC-16

IMPROVE YOUR OFFICE



The DC-16 maintains the M2 low roof height keeping equipment height low. The DC-16 adds 32 cu ft of cab space with tall side doors into the cab. Optional interior compartments are available on this model to keep your equipment and oily gloves safely separated from the cab interior.



DC-22

Low roof height and ground access



The DC-22 provides ample room to handle everything from paperwork to safety gear and equipment for the entire crew. Side doors offer easy access from the ground to prevent slip accidents. Large side windows provide a complete view of the driver's surroundings without impacting cab height. Weighing in at under 150 lb. the DC-22 allows you to maximize your chassis applications with minimum capacity penalty.



DC-27

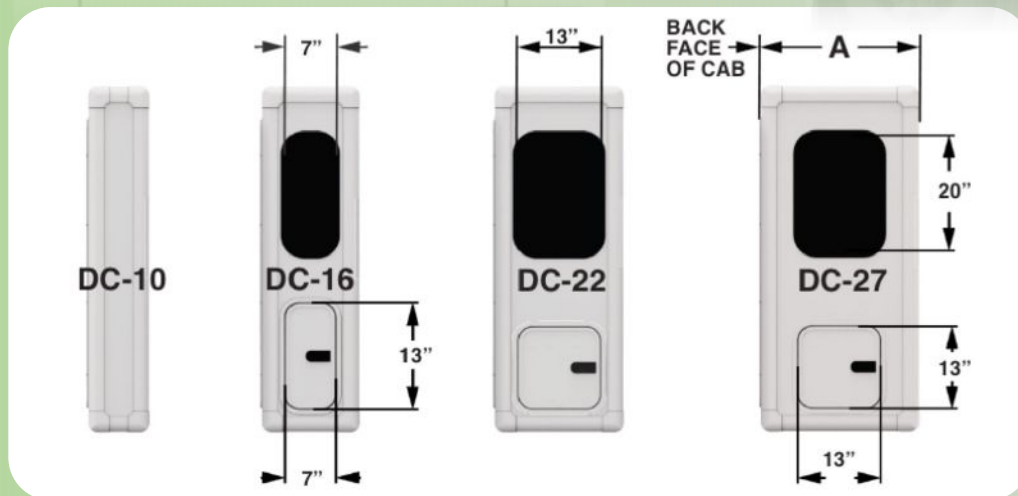
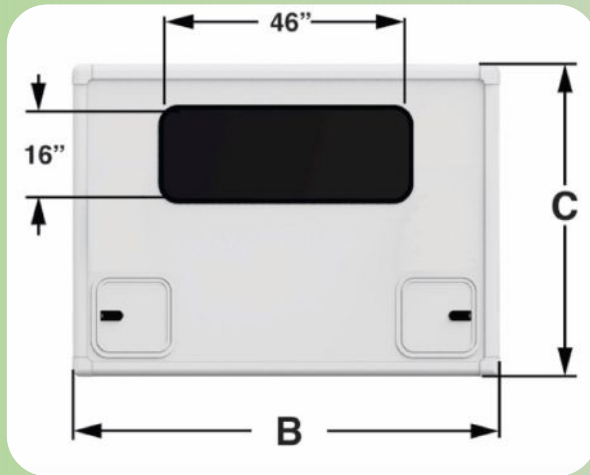
Big Benefits in a Small Package



The DC-27 Rest cab lets you add a comfortable 24" wide mattress with a customizable vocational interior. Drivers can access the side compartments inside and out and store items under the open center section. The DC-27 is also a very adaptable storage area without a mattress.



DIMENSIONS & DETAILS



	A	B	C
DC-10	11"	81.75"	59.75"
DC-16	17.5"	81.75"	59.75"
DC-22	22.5"	81.75"	59.75"
DC-27	27"	81.75"	59.75"